



# SD

## Electronic fan speed controller

These infinitely variable fan speed controllers allow you to manually adjust the rotational speed of single phase AC motors by varying the motor voltage through phase angle control. The integrated AC switch enables or disables the motor.

### Key features

- Infinitely variable speed control
- Regulation from low to high speed (SDY) and from high to low speed (SDX)
- Minimum speed adjustable by internal trimmer
- Unregulated output 230 VAC / 50–60 Hz
- Flush or surface mounting

### Area of use

- Manual motor / fan speed control in HVAC applications
- For indoor use only

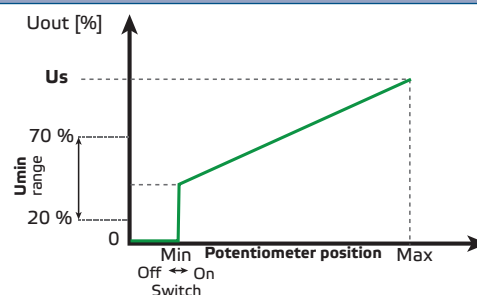
### Technical specifications

Supply voltage	230 VAC / 50–60 Hz	
Regulated output	Umin–Us	
Min. speed adjustment	20–70 % of Us	
Unregulated output	230 VAC / max. 2 A	
Protection standard	Flush mounting	IP44 (according to EN 60529)
	Surface mounting	IP54 (according to EN 60529)
Ambient conditions	Temperature	0–40 °C
	Rel. humidity	5–95 % rH (non-condensing)

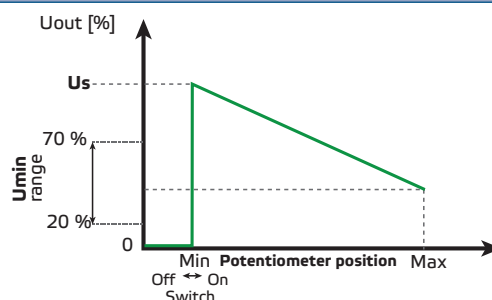


### Operational diagrams

#### SDY: from low to high speed



#### SDX: from high to low speed



### Settings

- |                                      |  |  |
|--------------------------------------|--|--|
| 1 - Minimum speed adjustment trimmer |  | Adjusts the min. speed (factory preset to 100 VAC) |
|--------------------------------------|--|--|

### Wiring and connections

L	Power supply, line (230 VAC ±10 % / 50–60 Hz)
L1	Unregulated output, line (230 VAC ±10 % / 50–60 Hz, I <sub>max</sub> 2 A)
N	Power supply, neutral
N	Unregulated output, neutral
U2	Regulated output to motor, neutral
U1	Regulated output to motor, line
<b>Connections</b>	Spring contact terminal block, cable cross section: 1,5 mm <sup>2</sup> ; pitch 5 mm

### Article codes

#### OUTPUT REGULATION FROM LOW TO HIGH

Article	Rated current range [A]
SDY-1-15-DT	0,1–1,5
SDY-1-30-DT	0,2–3

#### OUTPUT REGULATION FROM HIGH TO LOW

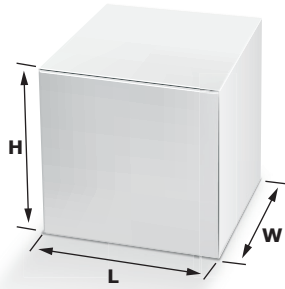
Article	Rated current range [A]
SDX-1-15-DT	0,1–1,5
SDX-1-30-DT	0,2–3



**SD**

Electronic fan speed controller

**Packaging**



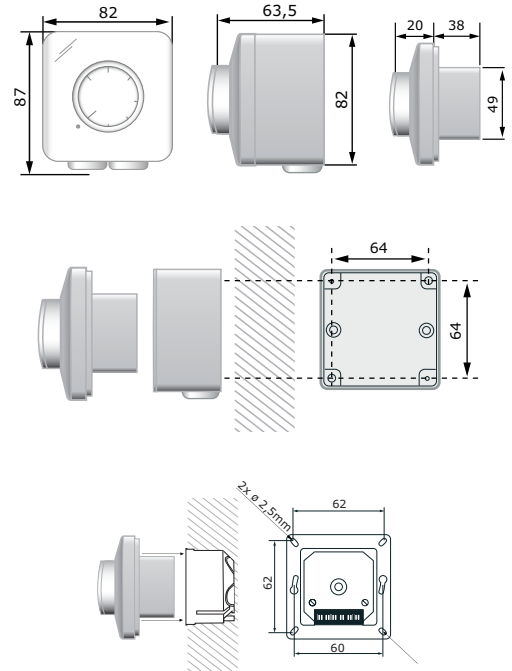
Article	Packaging	Length [mm]	Width [mm]	Height [mm]	Net weight	Gross weight
SDY SDX	Unit (1 pc.)	95	85	70	0,16 kg	0,19 kg
	Carton (10 pcs.)	492	182	84	1,55 kg	1,99 kg
	Box (60 pcs.)	590	380	280	9,3 kg	12,5 kg

**Standards**

- Low Voltage Directive 2014/35/EU
- EN 60529:1991 Degrees of protection provided by enclosures (IP Code). Amendment AC:1993 to EN 60529
- EN 60730-1:2011 Automatic electrical controls for household and similar use - Part 1: General requirements
- EMC Directive 2014/30/EU:
- EN 60730-1:2011 Automatic electrical controls for household and similar use - Part 1: General requirements
- EN 61000-6-1:2007 Electromagnetic compatibility (EMC) - Part 6-1: Generic standards - Immunity for residential, commercial and light industrial environments
- EN 61000-6-3:2007 Electromagnetic compatibility (EMC) - Part 6-3: Generic standards - Emission standard for residential, commercial and light-industrial environments. Amendments A1:2011 and AC:2012 to EN 61000-6-3
- WEEE Directive 2012/19/EU
- RoHS Directive 2011/65/EU



**Fixing and dimensions**



**Global trade item numbers (GTIN)**

Packaging	SDX-1-15-DT	SDX-1-30-DT	SDY-1-15-DT	SDY-1-30-DT
<b>Unit</b>	05401003017531	05401003017548	05401003017517	05401003017524
<b>Carton</b>	05401003302248	05401003302255	05401003302224	05401003302231
<b>Box</b>	05401003503348	05401003503355	05401003503324	05401003503331