

## TECHNICAL INFORMATION

APPLICATION	Airflow direction	Adjustable
	Airflow type	Long throw
CONSTRUCTION	Shape	Round
	Volume control	Damper disk
	Min. diameter	125 mm
	Max. diameter	400 mm
MATERIAL	Standard material	Powder coated aluminium
	Standard finishing	RAL9010
	Product finishing options	Powder coating RAL

## QUICK SELECTION

JD110, JD120, JD130 SUPPLY

Qv [m³/h]	L <sub>w</sub>		
	25 dB(A)	30 dB(A)	35 dB(A)
∅ [mm]			
125	139	167	201
160	295	347	407
200	464	547	645
250	653	771	910
315	815	973	1161
400	1446	1717	2039

## JD JET DIFFUSER

Variations [JD110](#) [JD120](#) [JD130](#) [JD110P](#) [JD120P](#)



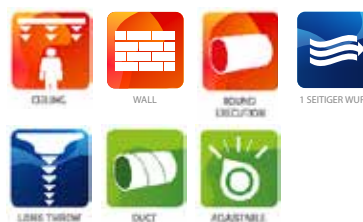
The jet diffusers, type JD, are especially developed for large and high areas such as concert halls, theaters, galleries, airports, shopping centres, industrial plants etc. Through their aerodynamic design they ensure a reduced noise level and even a long throw at high outlet velocities. In all versions, the jet is adjustable over 360°. As these jet diffusers handle different supply air temperatures, the jet can be oriented upwards or downwards (heating or cooling mode).

Adjustable over 60° (cooling - heating)

Rotates 360°

High induction level

Low noise level

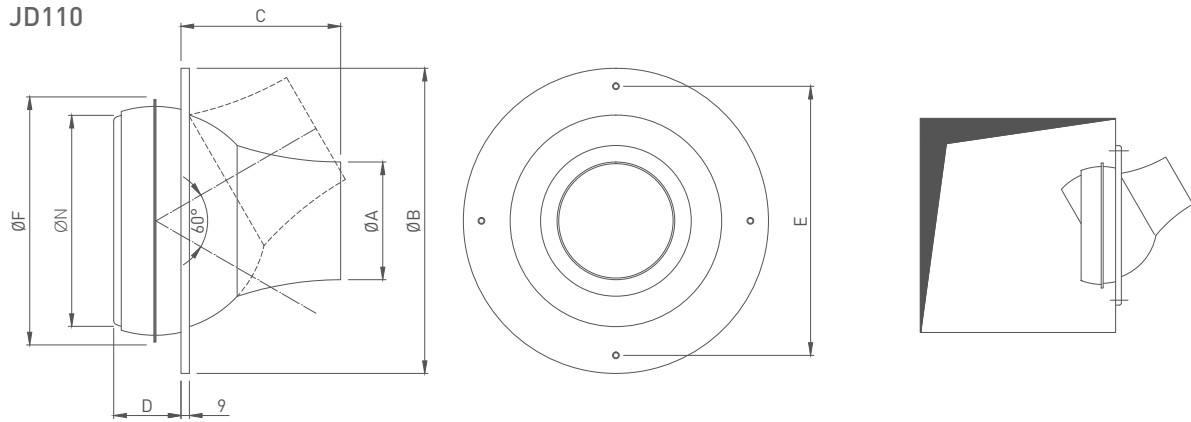


# JET DIFFUSER

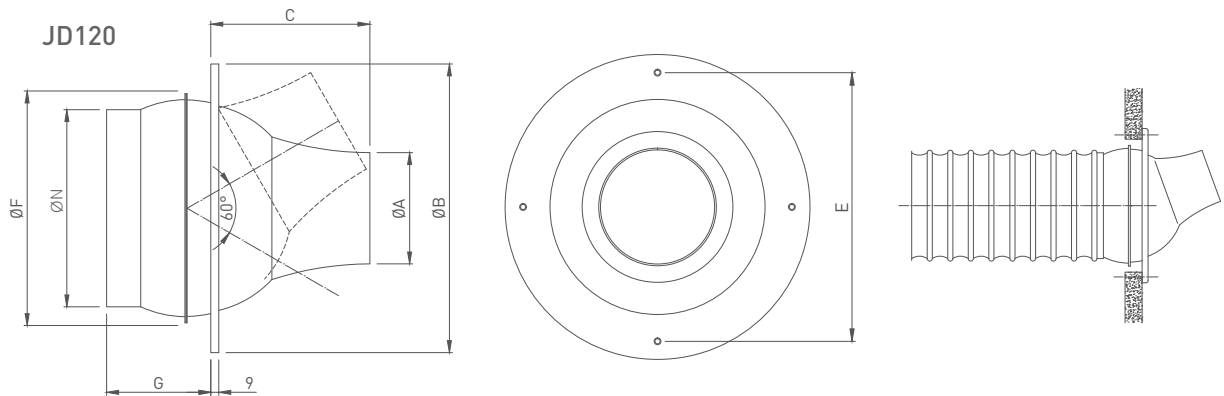
JD110 JD120 JD130 JD110P JD120P

## DIMENSIONS

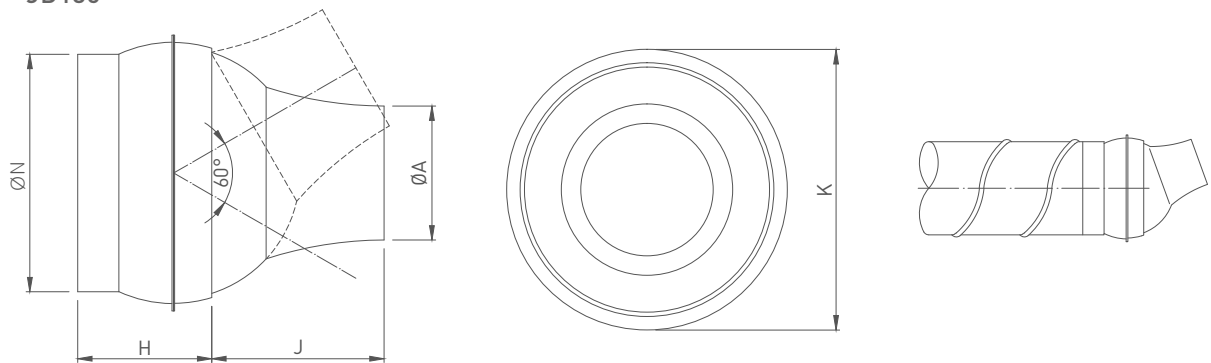
JD110



JD120



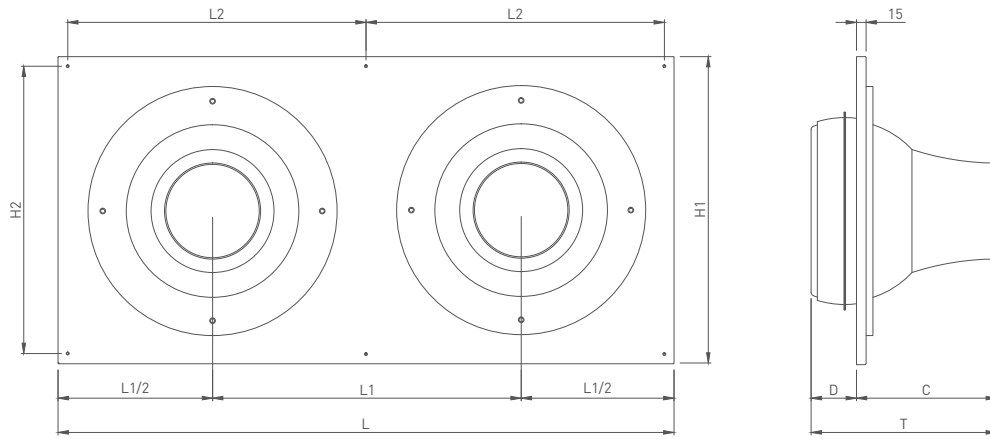
JD130



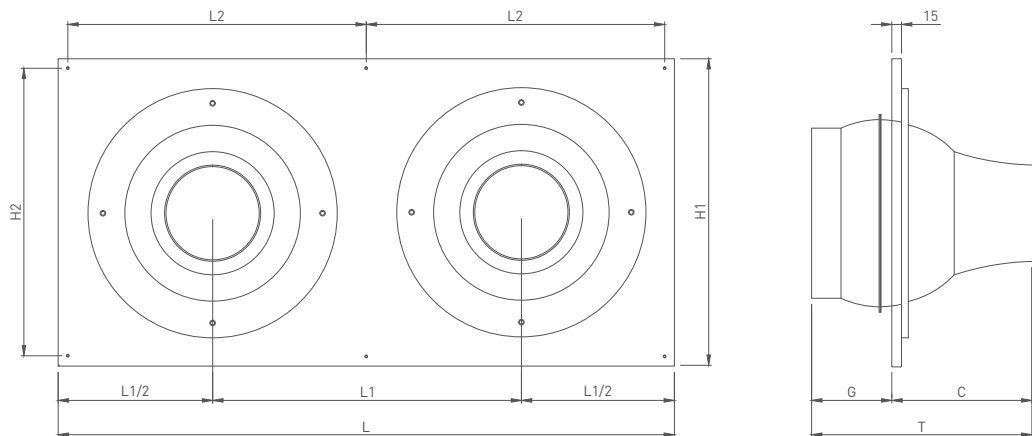
	(mm)									
Ø N (mm)	A	B	C	D	E	F	G	H	J	K
Ø 125	67	195	92	36	175	163	75	98	86	158
Ø 160	85	248	120	51	225	200	101	110	110	196
Ø 200	110	296	150	66	270	245	116	125	140	238
Ø 250	140	363	190	81	320	295	131	140	180	288
Ø 315	175	448	255	90	390	360	155	165	245	355
Ø 400	220	600	290	120	570	450	190	200	280	440

**DIMENSION + INSTALLATION**

**JD110P**



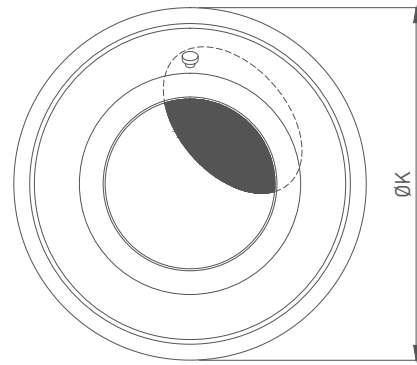
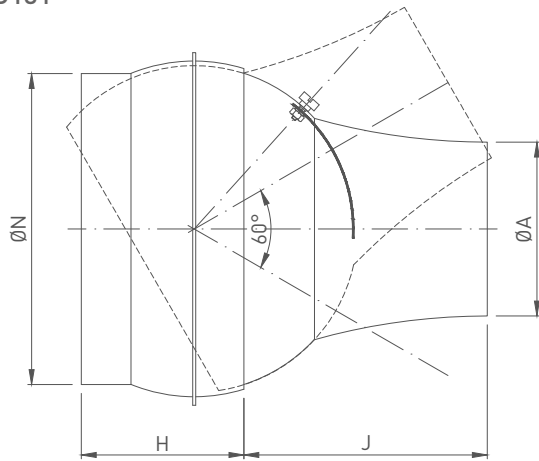
**JD120P**



(mm)												
Ø (mm)					2 JETS			3 JETS				
	C	D	G	T	L	L1	L2	L	L1	L2	H1	H2
Ø 125	109	21z	60	130	600	300	285	900	300	290	300	270
Ø 160	134	36	86	170	700	350	335	1050	350	340	350	320
Ø 200	164	51	101	215	800	400	385	1200	400	390	400	370
Ø 250	204	66	116	270	900	450	435	1350	450	440	450	420
Ø 315	269	76	140	345	1040	520	505	1560	520	510	520	490
Ø 400	304	106	175	410	1250	625	610	1875	625	615	625	595

## DELIVERY POSSIBILITIES

JD131



**i** Damper: available for all variations and executions.

NOT AVAILABLE SEPARATELY.

## HOW TO ORDER ?

GRILLE

J	D	1	1	0	-	F	-	-	0	3	1	5
---	---	---	---	---	---	---	---	---	---	---	---	---

